



CE EMC TEST REPORT

for

Product:Lithium ion Battery

**Models:M16S050BL, M16S075BL, M16S100BL, M16S120BL, M16S150BL,
M16S160BL, M16S200BL**

Report No.:PNE211129066 01001

Issued for

Shenzhen PCHNE technology Co., Ltd.

**3/F, 3th Blog. FuXinLin Industry Park, Hangcheng Industrial Zone, Fuhua
Community, XiXiang Street, Bao' An Dist., Shenzhen, China.**

Issued by

Guangdong UTL Co., Ltd.

**Lianding testing building, No.18 center road of Yayuan Industrial
ZoneNancheng District, Dongguan, Guangdong, China.**

TEL: +86-769-3893 3228

FAX: +86-769-3893 3229

Note: This report shall not be reproduced except in full, without the written approval of GuangDong UTL Co., Ltd. This document may be altered or revised by GuangDong UTL Co., Ltd.personnel only, and shall be noted in the revision section of the document. The test results presented in this report only relate to the tested sample.



TABLE OF CONTENTS

1. TEST CERTIFICATION	3
2. TEST SUMMARY	4
3. TEST SITE	5
3.1. TEST FACILITY.....	5
3.2. LIST OF TEST AND MEASUREMENT INSTRUMENTS.....	5
4. EUT DESCRIPTION	9
5. TEST METHODOLOGY	10
5.1. TEST MODE.....	10
5.2. EUT SYSTEM OPERATION.....	10
6. SETUP OF EQUIPMENT UNDER TEST	11
6.1. DESCRIPTION OF SUPPORT UNITS.....	11
6.2. CONFIGURATION OF SYSTEM UNDER TEST.....	11
7. EMISSION TEST	12
7.1. CONDUCTED EMISSION MEASUREMENT.....	12
7.2. RADIATED EMISSION MEASUREMENT.....	14
7.3. HARMONICS CURRENT MEASUREMENT.....	18
7.4. VOLTAGE FLUCTUATION AND FLICKS MEASUREMENT.....	20
8. IMMUNITY TEST	21
8.1. GENERAL DESCRIPTION.....	21
8.2. GENERAL PERFORMANCE CRITERIA DESCRIPTION.....	22
8.3. ELECTROSTATIC DISCHARGE (ESD).....	23
8.4. RADIATED, RADIO-FREQUENCY, ELECTROMAGNETIC FIELD (RS).....	26
8.5. ELECTRICAL FAST TRANSIENT (EFT).....	29
8.6. SURGE IMMUNITY TEST.....	30
8.7. CONDUCTED RADIO FREQUENCY DISTURBANCES (CS).....	32
8.8. POWER FREQUENCY MAGNETIC FIELD.....	33
8.9. VOLTAGE DIP & VOLTAGE INTERRUPTIONS.....	35
9. PHOTOGRAPHS OF EUT	36



1. TEST CERTIFICATION

Product:	Lithium ion Battery
Models:	M16S050BL, M16S075BL, M16S100BL, M16S120BL, M16S150BL, M16S160BL, M16S200BL
Applicant :	Shenzhen PCHNE technology Co., Ltd.
Address:	3/F, 3th Blog. FuXinLin Industry Park, Hangcheng Industrial Zone, Fuhua Community, XiXiang Street, Bao' An Dist., Shenzhen, China.
Manufacturer:	Shenzhen PCHNE technology Co., Ltd.
Address:	3/F, 3th Blog. FuXinLin Industry Park, Hangcheng Industrial Zone, Fuhua Community, XiXiang Street, Bao' An Dist., Shenzhen, China.
Test Date:	Jan. 18, 2021 to Feb. 01, 2021
Issued Date:	Dec. 08, 2021
Test Voltage:	DC 51.2V
Applicable Standards:	EN 61000-6-3:2007+A1:2011+AC:2012 EN IEC 61000-6-1:2019 EN IEC 61000-3-2:2019 EN 61000-3-3:2013+A1:2019

The above equipment has been tested by Guangdong UTL Co., Ltd and found compliance with the requirements in the technical standards mentioned above. The test results presented in this report only relate to the product/system tested. The Other similar equipment will not necessarily produce the same results due to production tolerance and measurement uncertainties.

Engineer:

Kevin Huang / Engineer

Manager:

Andy Huang /Manager



2. TEST SUMMARY

EMISSION			
Standard	Item	Result	Remarks
EN61000-6-3:2007+ A1:2011+AC:2012	Conducted emission (Mains Port)	N/A	N/A
	Radiated emission	PASS	Complied with the requirements
EN IEC 61000-3-2:2019	Harmonic current emissions	N/A	N/A
EN 61000-3-3:2013+A1:2019	Voltage fluctuations & flicker	N/A	N/A

IMMUNITY			
Standard	Item	Result	Remarks
EN 61000-4-2:2009	ESD	PASS	Complied with the requirements
EN 61000-4-3:2006+ A1:2008+A2:2010	RS	PASS	Complied with the requirements
EN 61000-4-4:2012	EFT	N/A	N/A
EN 61000-4-5:2014	Surge	N/A	N/A
EN 61000-4-6:2014	CS	N/A	N/A
EN 61000-4-8:2010	PFMF	N/A	N/A
EN 61000-4-11:2004	Voltage dips & voltage variations	N/A	N/A

Note: 1) The test result verdict is decided by the limit of test standard.

2) The information of measurement uncertainty is available upon the customer's request.



3. TEST SITE

3.1. TEST FACILITY

GUANGDONG UTL CO., LTD.

Address: Lianding testing building, No.18 center road of Yayuan Industrial Zone Nancheng District, Dongguan, Guangdong, China.

☆ CNAS Registration No.: CNAS L5998

☆ CBTL Registration No.: CBTL TL459

3.2. LIST OF TEST AND MEASUREMENT INSTRUMENTS

3.2.1. For conducted emission at the mains terminals test

Name of Equipment	Manufacturer	Model	Serial No.	Calibration Due
EMI Test Receiver	Rohde&Schwarz	ESPI	102090	Sep 16, 2021
Artificial Mains Network	Rohde&Schwarz	ESH3-Z5	100158	Sep 06, 2021
Limiter	Rohde&Schwarz	ESH3-Z2	100046	Sep 04, 2021
Artificial Mains Network (AUX)	Rohde&Schwarz	ENV216	101119	Mar 17, 2021

3.2.2. For radiated emission test (30MHz-1GHz)

Name of Equipment	Manufacturer	Model	Serial No.	Calibration Due
EMI Test Receiver	Rohde&Schwarz	ESR7	101346	Sep 17, 2021
Bilog Antenna	SCHWARZBECK	VULB9168	9168-0872	Sep 06, 2021

**3.2.3. For radiated emission test (1GHz above)**

Name of Equipment	Manufacturer	Model	Serial No.	Calibration Due
EMI Test Receiver	Rohde&Schwarz	ESR7	101346	Mar 17, 2021
Spectrum Analyzer	Rohde&Schwarz	FSVR40	100952	Sep 06, 2021
Horn Antenna	SCHWARZBECK	BBHA 9120D	9120D-1957	Sep 03, 2021
Microwave Broadband Amplifier	SCHWARZBECK	BBV 9718B	00024	Sep 06, 2021

3.2.4. For harmonic current emissions and voltage fluctuations/flicker test

Name of Equipment	Manufacturer	Model	Serial No.	Calibration Due
Harmonics / Flicker Test System	California Instruments	CTS/PACS-1-115	1534A00401	Mar 17, 2021
AC Power Source	California Instruments	3001IX-208-CTS	1534A00401	Mar 17, 2021

3.2.5. For electrostatic discharge immunity test

Name of Equipment	Manufacturer	Model	Serial No.	Calibration Due
ESD Generator	Prima	ESD61002BG	PR14062751	Sep 02, 2021
ESD Generator	HAEFELY TEST AG	ONYX 16	173835	Sep 02, 2021

**3.2.6. For radio frequency electromagnetic field immunity (R/S) test (AIT)**

Name of Equipment	Manufacturer	Model	Serial No.	Calibration Due
Signal Generator	Agilent	N517113-50B	MY53050160	Oct. 29, 2021
Amplifier	A&R	150W1000M3	313157	Oct. 29, 2021
Amplifier	A&R	50SIG6M2	0342835	Oct. 29, 2021
Antenna	SCHWARZBECK	STLP9149	9149.222	Oct. 29, 2021
Isotropic Field Probe	A&R	FL7006	0342652	Oct. 29, 2021
Log-periodic Antenna	SCHWARZBECK	STLP 9128E	9128E-012	Oct. 29, 2021

3.2.7. For electrical fast transient/burst immunity test

Name of Equipment	Manufacturer	Model	Serial No.	Calibration Due
EFT Generator	Prima	EFT61004BG	PR14084174	Sep 06, 2021
EFT Coupling Clamp	Prima	EFT-CLAMP	--	Sep 06, 2021
EFT Generator	HTEC	HCOMPACT 7	190306	Mar 17, 2021

3.2.8. For surge immunity test

Name of Equipment	Manufacturer	Model	Serial No.	Calibration Due
Surge Generator	Prima	SUG61005BG	PR14075772	Sep 06, 2021
Surge Generator	HTEC	HCOMPACT 7	190306	Mar 17, 2021
Communication wave lightning strike generator	HTEC	HTSG 70	184702	Mar 17, 2021
Coupling network 8 lines	HTEC	HCN 8	185001	Mar 17, 2021

**3.2.9. For injected currents susceptibility test**

Name of Equipment	Manufacturer	Model	Serial No.	Calibration Due
C/S Test System	SCHLODER	CDG-6000-25	19901991-0101	Mar 17, 2021
Coupling Decoupling Network	SCHLODER	CDN-M2+3	19901990-0201	Mar 17, 2021
6dB Aattenuator	SCHLODER	CDG 6050-100	3119	Mar 17, 2021

3.2.10. For power frequency magnetic field immunity test

Name of Equipment	Manufacturer	Model	Serial No.	Calibration Due
Magnetic Field System	HTEC	HFMG 100	182803	Sep 06, 2021

3.2.11. For voltage dips and short interruptions immunity test

Name of Equipment	Manufacturer	Model	Serial No.	Calibration Due
Dips Tester	Prima	DRP61011AG	PR14046273	Sep 06, 2021



4. EUT DESCRIPTION

Product	Lithium ion Battery
Model	M16S200BL
serial Model	M16S050BL, M16S075BL, M16S100BL, M16S120BL, M16S150BL, M16S160BL
Supplied Voltage	DC51.2V
Power	N/A
AC Lines	<input type="checkbox"/> Shielded <input type="checkbox"/> Unshielded, <input type="checkbox"/> Detachable <input type="checkbox"/> Un-detachable <input checked="" type="checkbox"/> Not applicable <input type="checkbox"/> Length:
DC Lines	<input type="checkbox"/> Shielded <input type="checkbox"/> Unshielded, <input type="checkbox"/> Detachable <input type="checkbox"/> Un-detachable <input checked="" type="checkbox"/> Not applicable <input type="checkbox"/> Length:
HDMI Lines	<input type="checkbox"/> Shielded <input type="checkbox"/> Unshielded, <input type="checkbox"/> Detachable <input type="checkbox"/> Un-detachable <input checked="" type="checkbox"/> Not applicable <input type="checkbox"/> Length:
Remark	According to the report of Guangdong UTL Technology Co., LTD. PNE20111424 15001 Change the product name and model.

I/O PORT

I/O PORT TYPES	Q'TY	TESTED WITH
AC Port	/	<input type="checkbox"/>
DC Port	1	<input checked="" type="checkbox"/>

Models Difference

All the same except the Battery capacity, the appearance and the model number.



5. TEST METHODOLOGY

5.1. TEST MODE

The EUT was tested together with the thereafter additional components, and a configuration, which produced the worst emission levels, was selected and recorded in this report.

The following test mode(s) were assessed.

	Test Items	Test Mode
Emission	Conducted Emission	N/A
	Radiated Emission	Discharging
	Harmonic current emissions	N/A
	Voltage fluctuations & flicker	N/A
Immunity	ESD	Discharging
	RS	Discharging
	EFT	N/A
	Surge	N/A
	C/S	N/A
	M/S	N/A
	Dips	N/A

5.2. EUT SYSTEM OPERATION

1. Set up EUT with the support equipment.
2. Make sure the EUT work normally during the test.



6. SETUP OF EQUIPMENT UNDER TEST

6.1. DESCRIPTION OF SUPPORT UNITS

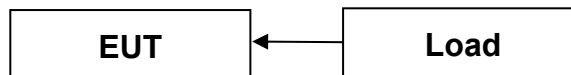
The EUT has been tested as an independent unit together with other necessary accessories or support units. The following support units or accessories were used to form a representative test configuration during the tests.

No.	Equipment	Model	Serial No.	FCC ID	Trade Name	Data Cable	Power Cord
1.	N/A	N/A	N/A	N/A	N/A	N/A	N/A

Note: 1) All the equipment/cables were placed in the worst-case configuration to maximize the emission during the test.

2) Grounding was established in accordance with the manufacturer's requirements and conditions for the intended use.

6.2. CONFIGURATION OF SYSTEM UNDER TEST



(EUT:Lithium ion Battery)



7. EMISSION TEST

7.1. CONDUCTED EMISSION MEASUREMENT

7.1.1. LIMITS

FREQUENCY (MHz)	Class A		Class B	
	Quasi-peak dB(μ V)	Average dB(μ V)	Quasi-peak dB(μ V)	Average dB(μ V)
0.15 - 0.5	79	66	66-56	56-46
0.5 - 5.0	73	60	56	46
5.0 - 30.0	73	60	60	50

Note: 1) The lower limit shall apply at the transition frequencies.

2) The limit decreases in line with the logarithm of the frequency in the range of 0.15 to 0.50 MHz.

7.1.2. TEST PROCEDURES

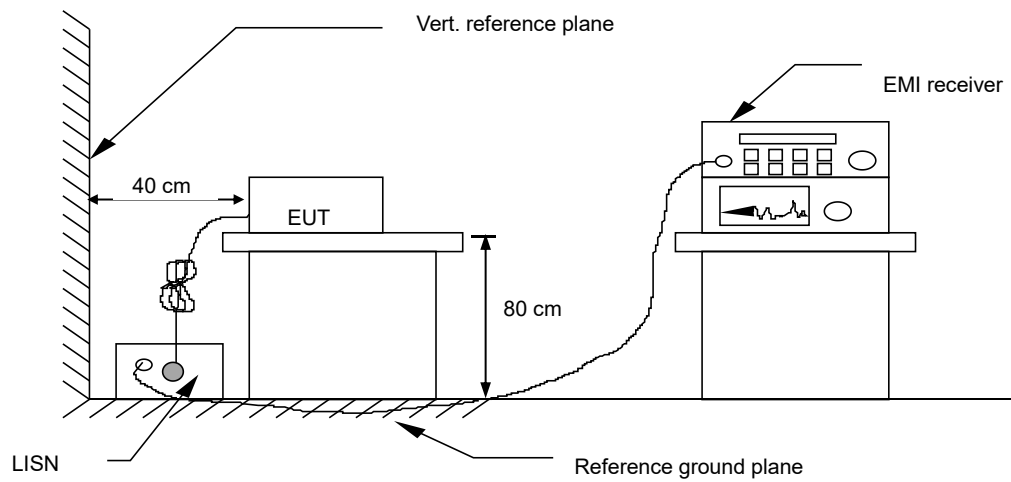
The EUT and Support equipment, if needed, was set up as per the test configuration to simulate typical usage per the user's manual. When the EUT is a tabletop system, a wooden table with a height of 0.8 meters is used and is placed on the ground plane. When the EUT is floor standing equipment, it is placed on the ground plane, which has a 3-12 mm non-conductive covering to insulate the EUT from the ground plane. The EUT should be 0.8 m apart from the AMN, where the mains cable supplied by the manufacturer is longer than 1 m, the excess should be folded at the centre into a bundle no longer than 0.4 m, Details please refer to test setup photography.

The Receiver scanned from 150 kHz to 30 MHz for emissions in each of the test modes. During the above scans, the emissions were maximized by cable manipulation.

A scan was taken on both of the power lines, Line and neutral, recording at least the six highest emissions. Emission frequency and amplitude were recorded into a computer in which correction factors were used to calculate the emission level and compare reading to the applicable limit. The test data of the worst-case condition(s) was recorded.



7.1.3. TEST SETUP



For the actual test configuration, please refer to the related item – Photographs of the Test Configuration.

7.1.4. TEST RESULT

N/A



7.2. RADIATED EMISSION MEASUREMENT

7.2.1. LIMITS

FREQUENCY (MHz)	Class A(At 3m)	Class B(At 3m)
	Quasi-peak dB(μ V/m)	Quasi-peak dB(μ V/m)
30 ~ 230	50	40
230 ~ 1000	57	47

Note: 1) The lower limit shall apply at the transition frequencies.

2) Emission level (dB μ V/m) = 20 log Emission level (μ V/m).

7.2.2. TEST PROCEDURE

The equipment was set up as per the test configuration to simulate typical usage per the user's manual. When the EUT is a tabletop system, a wooden turntable with a height of 0.8 meters is used which is placed on the ground plane. When the EUT is floor standing equipment, it is placed on the ground plane which has a 0.1 m non-conductive covering to insulate the EUT from the ground plane.

The antenna was placed at 3 meter away from the EUT. The antenna connected to the spectrum analyzer via a cable and at times a pre-amplifier would be used.

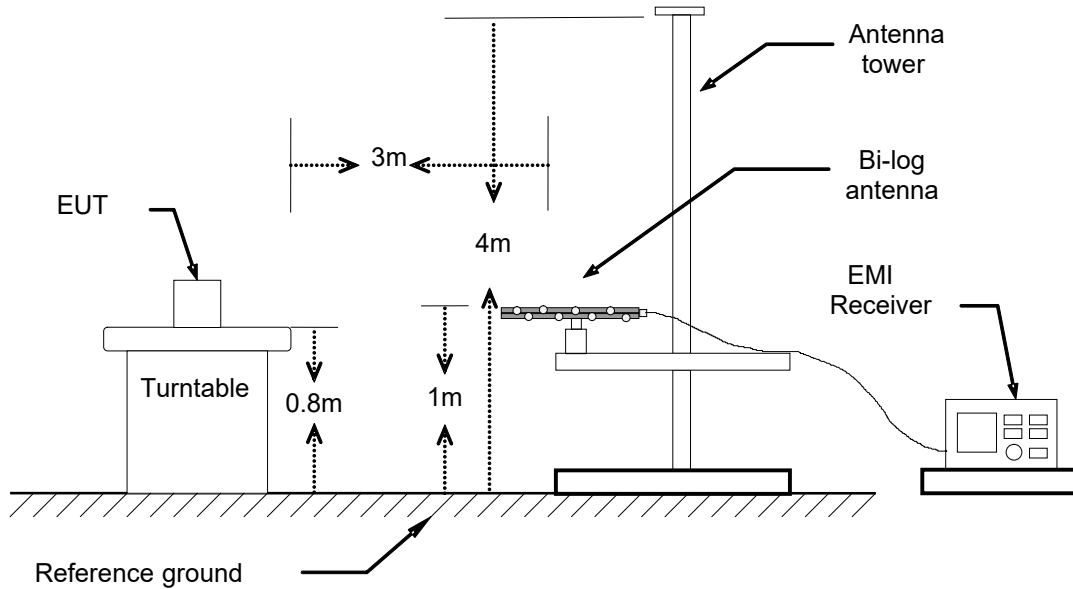
The analyzer / receiver quickly scanned from 30 MHz to 1000 MHz. The EUT test program was started. Emissions were scanned and measured rotating the EUT to 360 degrees and positioning the antenna 1 to 4 meters above the ground plane, in both the vertical and the horizontal polarization, to maximize the emission reading level.

During the above scans, the emissions were maximized by cable manipulation. Each modes is measured, recorded at least the six highest emissions. The emission frequency, amplitude, antenna position, polarization and turntable position were recorded into a computer in which correction factors were used to calculate the emission level and compare reading to the applicable limit and only Q.P. reading is presented.

The test data of the worst-case condition(s) was recorded.



7.2.3. TEST SETUP



For the actual test configuration, please refer to the related item – Photographs of the Test Configuration

7.2.4. TEST RESULT

Product name	Lithium ion Battery	Antenna Distance	3 m
Model	M16S200BL	Antenna Pole	Vertical / Horizontal
Test Mode	Discharging	Detector Function	Peak / Quasi-peak
Environmental Conditions	25.9°C, 60% RH, 101.56 kPa	6 dB Bandwidth	120 kHz
Tested by	Dave	Test Result	Pass

Note:

Freq. = Emission frequency in MHz

Reading level (dB μ V/m) = Receiver reading

Corr. Factor (dB) = Antenna factor + Cable loss

Measurement (dB μ V/m) = Reading level (dB μ V/m) + Corr. Factor (dB)

Limit (dB μ V/m) = Limit stated in standard

Over Limit (dB) = Measurement (dB μ V/m) – Limit (dB μ V/m)

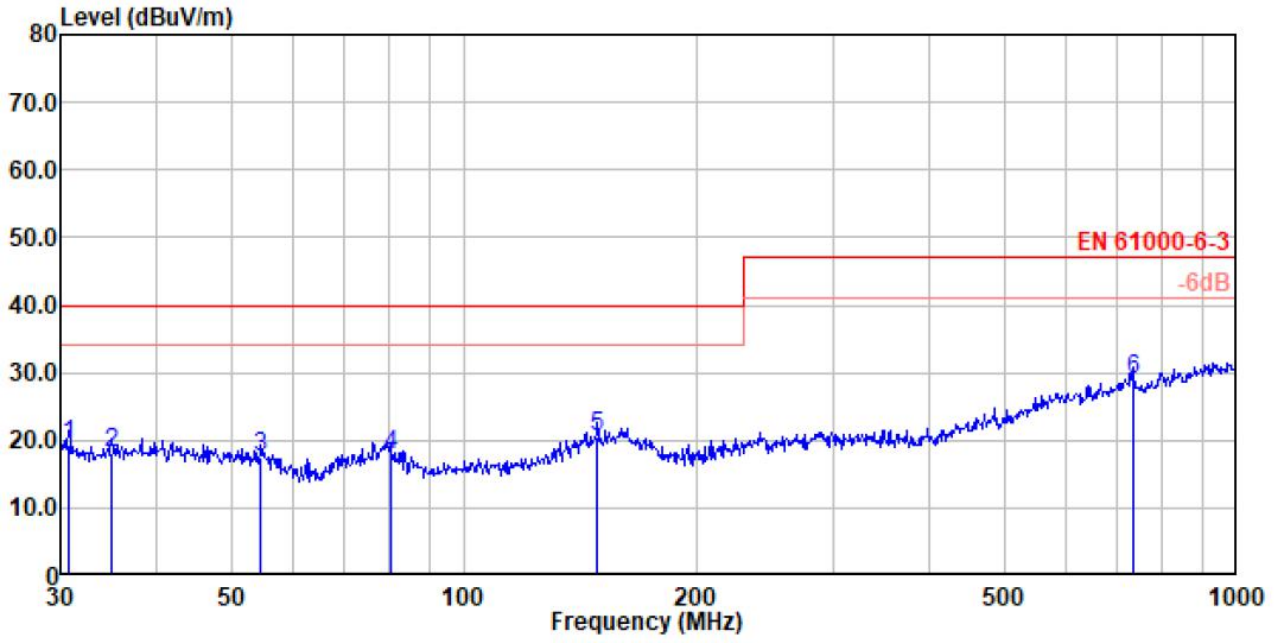
QP = Quasi-Peak

The highest frequency of the internal sources of the EUT was less than 108 MHz, so the measurement was only made up to 1 GHz.



Please refer to the following diagram:

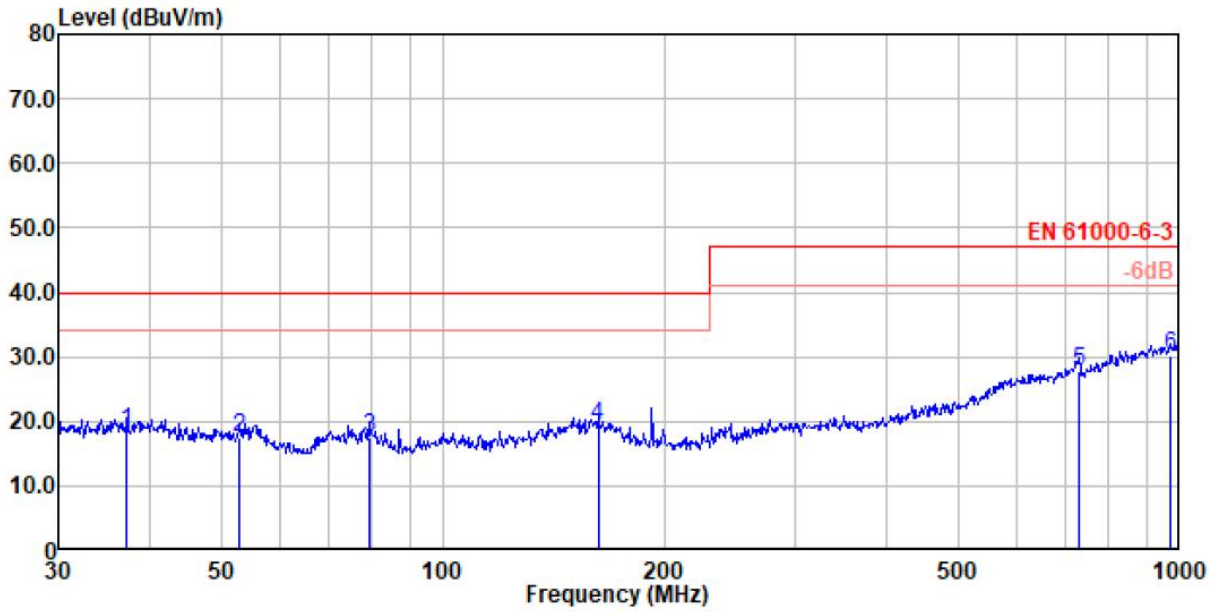
Vertical: Discharging



	Freq	Cable Loss	Factor	Level	Read Level	Limit Line	Over Limit	Remark
	MHz	dB	dB/m	dBuV/m	dBuV	dBuV/m	dB	
1	30.745	3.32	14.95	19.36	4.41	40.00	-20.64	QP
2	35.005	3.38	15.73	18.22	2.49	40.00	-21.78	QP
3	54.452	2.25	14.97	17.45	2.48	40.00	-22.55	QP
4	80.081	5.29	14.88	17.74	2.86	40.00	-22.26	QP
5	148.441	1.52	16.05	20.61	4.56	40.00	-19.39	QP
6	731.920	0.63	22.17	28.94	6.77	47.00	-18.06	QP



Horizontal:



	Freq	Cable Loss	Factor	Level	Read Level	Limit Line	Over Limit	Remark
	MHz	dB	dB/m	dBuV/m	dBuV	dBuV/m	dB	
1	37.155	3.30	16.13	18.45	2.32	40.00	-21.55	QP
2	52.945	2.02	14.77	17.59	2.82	40.00	-22.41	QP
3	79.243	5.17	13.86	17.56	3.70	40.00	-22.44	QP
4	162.041	1.49	14.19	19.18	4.99	40.00	-20.82	QP
5	729.358	0.60	21.67	27.90	6.23	47.00	-19.10	QP
6	972.337	1.59	25.58	30.13	4.55	47.00	-16.87	QP



7.3. HARMONICS CURRENT MEASUREMENT

7.3.1. LIMITS OF HARMONICS CURRENT MEASUREMENT

Limit for Class A equipment		Limit for Class D equipment		
Harmonics Order N	Max. permissible harmonics current A	Harmonics Order n	Max. permissible harmonics current per watt mA/W	Max. permissible harmonics current A
Odd harmonics		Odd Harmonics only		
3	2.30	3	3.4	2.30
5	1.14	5	1.9	1.14
7	0.77	7	1.0	0.77
9	0.40	9	0.5	0.40
11	0.33	11	0.35	0.33
13	0.21	13	0.30	0.21
15 ≤ n ≤ 39	0.15x(15/n)	15 ≤ n ≤ 39 (odd harmonics only)	3.85/n	0.15x(15/n)
Even harmonics				
2	1.08			
4	0.43			
6	0.30			
8 ≤ n ≤ 40	0.23x8/n			

Limit for Class C equipment	
Harmonics Order n	Max. permissible harmonics current expressed as a percentage of the input current at the fundamental frequency A
2	2
3	30xF
5	10
7	7
9	5
11 ≤ n < ≤ 39 (odd harmonics only)	3

F is the circuit power factor

Note: Class A, B, C and D are classified according to item 7.3.2.of this report

7.3.2. TEST PROCEDURES

The EUT was placed on the top of a wooden table 0.8 meters above the ground and operated to produce



the maximum harmonic. The classification of EUT is according to section 5 of EN 61000-3-2.

The EUT is classified as follows:

Class A:

Balanced three-phase equipment, Household appliances excluding equipment as Class D, Tools excluding portable tools, Dimmers for incandescent lamps, audio equipment, equipment not specified in one of the three other classes.

Class B:

Portable tools; Arc welding equipment which is not professional equipment.

Class C:

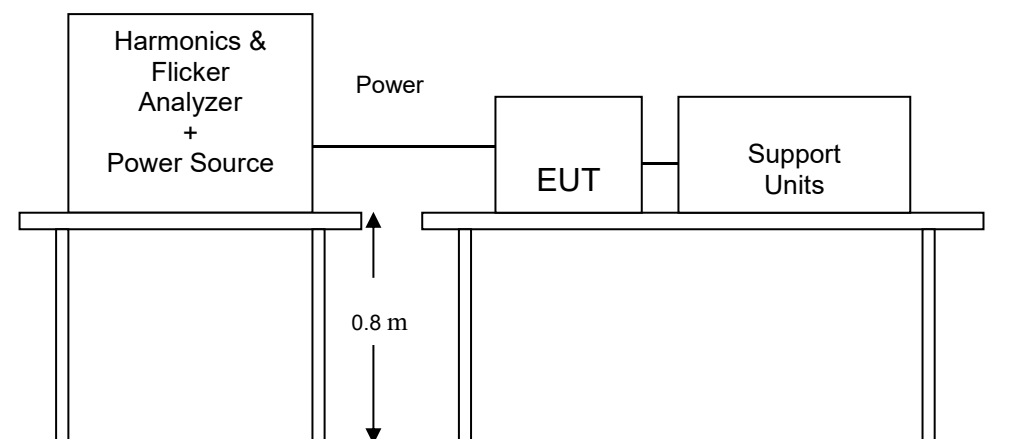
Lighting equipment

Class D:

Equipment having a specified power less than or equal to 600 W of the following types: Personal computers and personal computer monitors and television receivers.

The correspondent test program of test instrument to measure the current harmonics emanated from EUT is chosen. The measure time shall be not less than the time necessary for the EUT to be exercised.

7.3.3. TEST SETUP



For the actual test configuration, please refer to the related item – Photographs of the Test Configuration.

7.3.4. TEST RESULT

N/A



7.4. VOLTAGE FLUCTUATION AND FLICKS MEASUREMENT

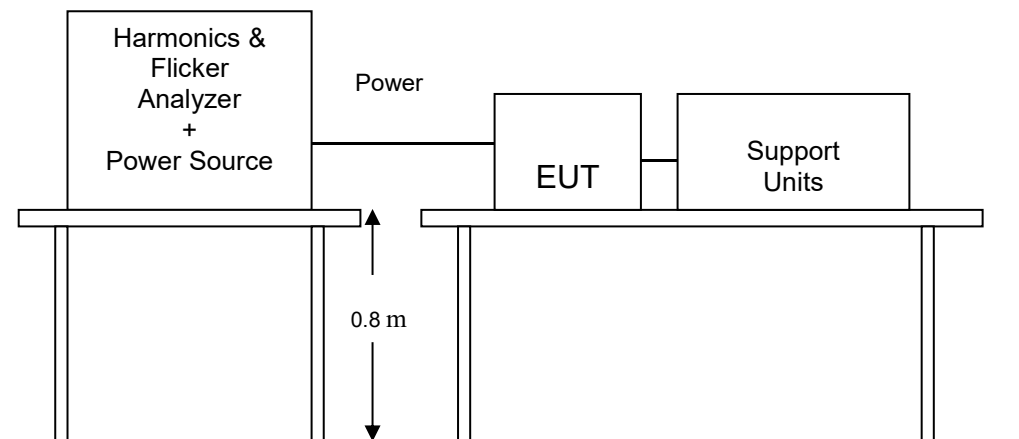
7.4.1. LIMITS OF VOLTAGE FLUCTUATION AND FLICKS MEASUREMENT

TEST ITEM	LIMIT	REMARK
P_{st}	1.0	P_{st} means short-term flicker indicator.
P_{lt}	0.65	P_{lt} means long-term flicker indicator.
T_{dt} (ms)	500	T_{dt} means maximum time that dt exceeds 3 %.
d_{max} (%)	4/6/7 %	d_{max} means maximum relative voltage change.
dc (%)	3.3 %	dc means relative steady-state voltage change

7.4.2. TEST PROCEDURE

The EUT was placed on the top of a wooden table 0.8 meters above the ground and operated to produce the most unfavorable sequence of voltage changes under full load operating conditions. During the flick measurement, the measure time shall include that part of whole operation cycle in which the EUT produce the most unfavorable sequence of voltage changes. The observation period for short-term flicker indicator is 10 minutes and the observation period for long-term flicker indicator is 2 hours.

7.4.3. TEST SETUP



For the actual test configuration, please refer to the related item – Photographs of the Test Configuration.

7.4.4. TEST RESULT

N/A



8. IMMUNITY TEST

8.1. GENERAL DESCRIPTION

Product Standard	EN 61000-6-1	
	Test Type	Minimum Requirement
Basic Standard, Specification, and Performance Criterion required	EN 61000-4-2	Electrostatic Discharge – ESD: ±8 kV air Discharge, ±4 kV Contact Discharge, Performance Criterion B
	EN 61000-4-3	Radio-Frequency Electromagnetic Field Susceptibility Test – RS: 80 MHz to 1 GHz, 3 V/m, 80 % AM(1 kHz), 1.4 GHz to 2 GHz, 3 V/m, 80 % AM(1 kHz), 2 MHz to 2.7 GHz, 1 V/m, 80 % AM(1 kHz), Performance Criterion A
	EN 61000-4-4	Electrical Fast Transient/Burst - EFT, Power line: ±1 kV, Signal line: ±0.5 kV, Performance Criterion B
	EN 61000-4-5	Surge Immunity Test: 1.2/50 μs Open Circuit Voltage, 8 /20 μs Short Circuit Current, Power Port ~ Line to line: ±1 kV, Line to ground: ±2 kV Signal Port : ±0.5 kV Performance Criterion B
	EN 61000-4-6	Conducted Radio Frequency Disturbances Test –CS: 0.15 ~ 80 MHz, 3 V r.m.s, 80 % AM, 1 kHz, Performance Criterion A
	EN 61000-4-8	Power frequency magnetic field immunity test 50 Hz, 1 A/m Performance Criterion A
	EN 61000-4-11	Voltage Dips: i) 0% reduction for 0.5 period, Performance Criterion B ii) 70% reduction for 25 periods, Performance Criterion C Voltage Interruptions: 0% reduction for 250 periods, Performance Criterion C



8.2. GENERAL PERFORMANCE CRITERIA DESCRIPTION

Criteria A:	During and after the test the EUT shall continue to operate as intended without operator intervention. No degradation of performance or loss of function is allowed below a minimum performance level specified by the manufacturer when the EUT is used as intended. The performance level may be replaced by a permissible loss of performance. If the minimum performance level or the permissible performance loss is not specified by the manufacturer, then either of these may be derived from the product description and documentation, and by what the user may reasonably expect from the EUT if used as intended.
Criteria B:	After the test, the EUT shall continue to operate as intended without operator intervention. No degradation of performance or loss of function is allowed, after the application of the phenomena below a performance level specified by the manufacturer, when the EUT is used as intended. The performance level may be replaced by a permissible loss of performance. During the test, degradation of performance is allowed. However, no change of operating state or stored data is allowed to persist after the test. If the minimum performance level (or the permissible performance loss) is not specified by the manufacturer, then either of these may be derived from the product description and documentation, and by what the user may reasonably expect from the EUT if used as intended.
Criteria C:	During and after testing, a temporary loss of function is allowed, provided the function is self-recoverable, or can be restored by the operation of the controls or cycling of the power to the EUT by the user in accordance with the manufacturer's instructions. Functions, and/or information stored in non-volatile memory, or protected by a battery backup, shall not be lost.



8.3. ELECTROSTATIC DISCHARGE (ESD)

8.3.1. TEST SPECIFICATION

Basic Standard:	EN 61000-4-2
Discharge Impedance:	330 Ω
Charging Capacity:	150 pF
Discharge Voltage:	Air Discharge: ± 8 kV (Direct) Contact Discharge: ± 4 kV (Direct/Indirect)
Polarity:	Positive & Negative
Number of Discharge:	10 (Air Discharge for single polarity Discharge) 25 (Contact Discharge for single polarity Discharge)
Discharge Mode:	1 time/s
Performance Criterion:	B

8.3.2. TEST PROCEDURE

The Discharges shall be applied in two ways:

- a) Contact Discharges to the conductive surfaces and coupling planes:
50 Dischargers (25 with positive and 25 with negative polarity) shall be applied on each accessible metallic part of the enclosure, terminals are excluded. In case of a non-conductive enclosure, Dischargers shall be applied on the horizontal or vertical coupling planes. Test shall be performed at a maximum repetition rate of one Discharge per second.
- b) Air Discharges at slots and apertures and insulating surfaces:
On those parts of the EUT where it is not possible to perform contact Discharge testing, the equipment should be investigated to identify user accessible points where breakdown may occur. Such points are tested using the air Discharge method. This investigation should be restricted to those area normally handled by the user. A minimum of 10 single air Discharges shall be applied to the selected test point for each such area.

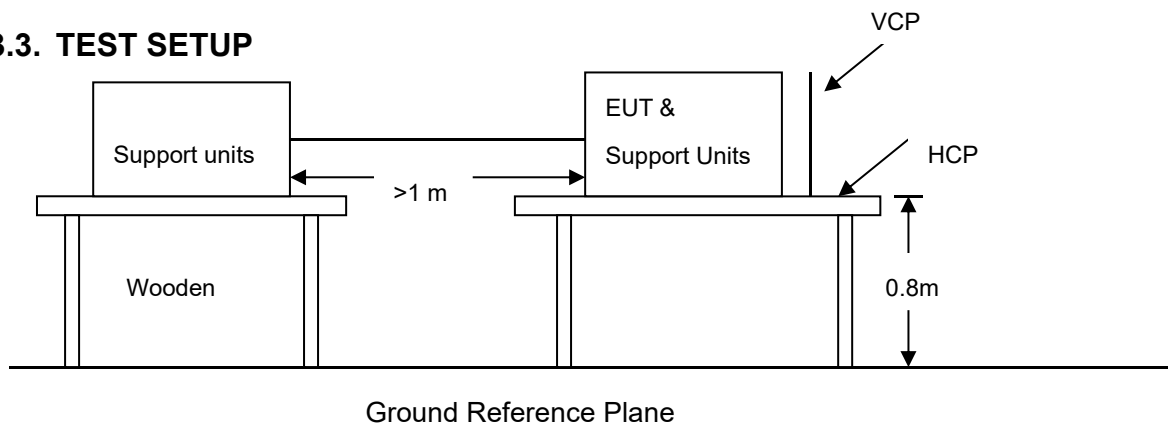
The basic test procedure was in accordance with IEC 61000-4-2:

- a) The EUT was located 0.1 m minimum from all side of the HCP (dimensions 1.6 m x 0.8 m).
- b) The support units were located another table 30 cm away from the EUT, but direct support unit was/were located at same location as EUT on the HCP and keep at a distance of 10cm with EUT.



- c) The time interval between two successive single Discharges was at least 1 second.
- d) Contact Discharges were applied to the non-insulating coating, with the pointed tip of the generator penetrating the coating and contacting the conducting substrate.
- e) Air Discharges were applied with the round Discharge tip of the Discharge electrode approaching the EUT as fast as possible (without causing mechanical damage) to touch the EUT. After each Discharge, the ESD generator was removed from the EUT and re-triggered for a new single Discharge. The test was repeated until all Discharges were complete.
- f) At least ten single Discharges (in the most sensitive polarity) were applied at the front edge of each HCP opposite the center point of each unit of the EUT and 0.1 meter from the front of the EUT. The long axis of the Discharge electrode was in the plane of the HCP and perpendicular to its front edge during the Discharge.
- g) At least ten single Discharges (in the most sensitive polarity) were applied to the center of one vertical edge of the Vertical Coupling Plane (VCP) in sufficiently different positions that the four faces of the EUT were completely illuminated. The VCP (dimensions 0.5 m x 0.5 m) was placed vertically to and 0.1 meter from the EUT.

8.3.3. TEST SETUP



For the actual test configuration, please refer to the related item – Photographs of the Test Configuration.

Note:

1) TABLE-TOP EQUIPMENT

The configuration consisted of a wooden table 0.8 meters high standing on the ground reference plane (GRP). The GRP consisted of a sheet of aluminum at least 0.25 mm thick, and 2.5 meters square connected to the protective grounding system. A horizontal coupling plane (HCP) (1.6 m x 0.8 m) was placed on the table and attached to the GRP by means of a cable with 940k total impedance. The equipment under test, was installed in a representative system as described in section 7 of EN

61000-4-2, and its cables were placed on the HCP and isolated by an insulating support of 0.5 mm thickness. A distance of 1-meter minimum was provided between the EUT and the walls of the laboratory and any other metallic structure.



2) FLOOR-STANDING EQUIPMENT

The equipment under test was installed in a representative system as described in section 7 of IEC 61000-4-2, and its cables were isolated from the ground reference plane by an insulating support of 0.1 meter thickness. The GRP consisted of a sheet of aluminum that is at least 0.25 mm thick, and 2.5 meters square connected to the protective grounding system and extended at least 0.5 meters from the EUT on all sides.

8.3.4. TEST RESULT

Product	Lithium ion Battery	Environmental Conditions	24.6°C, 54% RH, 101kPa
Model	M16S200BL	Tested By	Dave
Test mode	Discharging	Test Result	Pass

Air Discharge					
Test Points	Test Levels	Results			
	± 8 kV	Pass	Fail	Observation	Performance Criterion
Slot 2 Points	<input checked="" type="checkbox"/>	<input checked="" type="checkbox"/>	<input type="checkbox"/>	Note <input type="checkbox"/> 1 <input checked="" type="checkbox"/> 2 <input type="checkbox"/> 3	B

Contact Discharge					
Test Points	Test Levels	Results			
	± 4 kV	Pass	Fail	Observation	Performance Criterion
HCP 2 Points	<input checked="" type="checkbox"/>	<input checked="" type="checkbox"/>	<input type="checkbox"/>	Note <input type="checkbox"/> 1 <input checked="" type="checkbox"/> 2 <input type="checkbox"/> 3	B
VCP 2 Points	<input checked="" type="checkbox"/>	<input checked="" type="checkbox"/>	<input type="checkbox"/>	Note <input type="checkbox"/> 1 <input checked="" type="checkbox"/> 2 <input type="checkbox"/> 3	B
Positive 1 Point	<input checked="" type="checkbox"/>	<input checked="" type="checkbox"/>	<input type="checkbox"/>	Note <input type="checkbox"/> 1 <input checked="" type="checkbox"/> 2 <input type="checkbox"/> 3	B
Negative 1 Point	<input checked="" type="checkbox"/>	<input checked="" type="checkbox"/>	<input type="checkbox"/>	Note <input type="checkbox"/> 1 <input checked="" type="checkbox"/> 2 <input type="checkbox"/> 3	B
Screw 2 Points	<input checked="" type="checkbox"/>	<input checked="" type="checkbox"/>	<input type="checkbox"/>	Note <input type="checkbox"/> 1 <input checked="" type="checkbox"/> 2 <input type="checkbox"/> 3	B

Note: 1) There was no change compared with initial operation during the test.
 2) During the test and After the test, the EUT can resume to operate as intended without operator intervention.
 3) During the test and After the test, During and after testing, the EUT needs to return to normal operation with operator intervention.



8.4. RADIATED, RADIO-FREQUENCY, ELECTROMAGNETIC FIELD (RS)

8.4.1. TEST SPECIFICATION

Basic Standard:	EN 61000-4-3
Frequency Range:	80 MHz ~ 1000 MHz, 1.4-2GHz, 2-2.7GHz
Field Strength:	3 V/m,1V/m
Modulation:	1 kHz Sine Wave, 80 %, AM Modulation
Frequency Step:	1 % of preceding frequency value
Polarity of Antenna:	Horizontal and Vertical
Test Distance:	3 m
Antenna Height:	1.5 m
Performance Criterion:	A

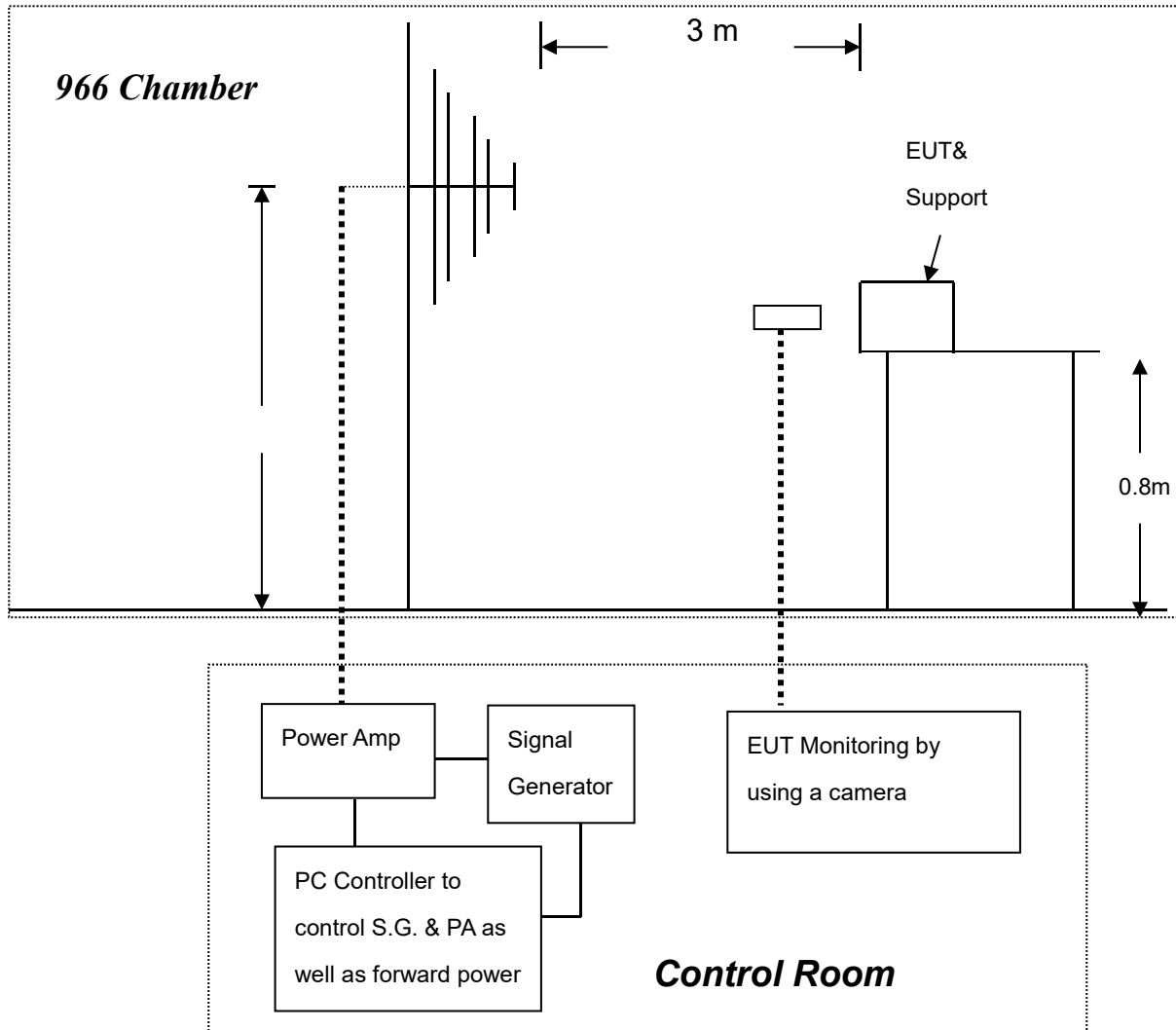
8.4.2. TEST PROCEDURE

The test procedure was in accordance with EN 61000-4-3

- a) The testing was performed in a fully anechoic chamber. The transmit antenna was located at a distance of 3 meters from the EUT.
- b) The frequency range is swept from 80 MHz to 1000 MHz, with the signal 80% amplitude modulated with a 1 kHz sine-wave. The rate of sweep did not exceed 1.5×10^{-3} decade/s, where the frequency range is swept incrementally, the step size was 1 % of preceding frequency value.
- c) The dwell time at each frequency shall be not less than the time necessary for the EUT to be able to respond.
- d) The test was performed with the EUT exposed to both vertically and horizontally polarized fields on each of the four sides.



8.4.3. TEST SETUP



For the actual test configuration, please refer to the related item – Photographs of the Test Configuration.

Note:

TABLETOP EQUIPMENT

The EUT installed in a representative system as described in section 7 of EN 61000-4-3 was placed on a non-conductive table 0.8 meters in height. The system under test was connected to the power and signal wire according to relevant installation instructions.

FLOOR STANDING EQUIPMENT

The EUT installed in a representative system as described in section 7 of IEC 61000-4-3 was placed on a non-conductive wood support 0.1 meters in height. The system under test was connected to the power and signal wire according to relevant installation instructions.



8.4.4. TEST RESULT

Product	Lithium ion Battery	Environmental Conditions	24.2°C, 57 % RH, 101 kPa
Model	M16S200BL	Tested By	Dave
Test mode	Discharging	Test Result	Pass

Frequency (MHz)	Polarity	Position	Field Strength (V/m)	Observation	Performance Criterion
80 ~ 1000 1400-2000	V&H	Front	3	Note <input checked="" type="checkbox"/> 1 <input type="checkbox"/> 2 <input type="checkbox"/> 3	A
	V&H	Rear	3	Note <input checked="" type="checkbox"/> 1 <input type="checkbox"/> 2 <input type="checkbox"/> 3	A
	V&H	Left	3	Note <input checked="" type="checkbox"/> 1 <input type="checkbox"/> 2 <input type="checkbox"/> 3	A
	V&H	Right	3	Note <input checked="" type="checkbox"/> 1 <input type="checkbox"/> 2 <input type="checkbox"/> 3	A
2000-2700	V&H	Front	1	Note <input checked="" type="checkbox"/> 1 <input type="checkbox"/> 2 <input type="checkbox"/> 3	A
	V&H	Rear	1	Note <input checked="" type="checkbox"/> 1 <input type="checkbox"/> 2 <input type="checkbox"/> 3	A
	V&H	Left	1	Note <input checked="" type="checkbox"/> 1 <input type="checkbox"/> 2 <input type="checkbox"/> 3	A
	V&H	Right	1	Note <input checked="" type="checkbox"/> 1 <input type="checkbox"/> 2 <input type="checkbox"/> 3	A

Note: 1) There was no change compared with initial operation during the test.
 2) During the test and After the test, the EUT can resume to operate as intended without operator intervention.
 3) During the test and After the test, During and after testing, the EUT needs to return to normal operation with operator intervention.



8.5. ELECTRICAL FAST TRANSIENT (EFT)

8.5.1. TEST SPECIFICATION

Basic Standard:	EN 61000-4-4
Test Voltage:	Power Line: ± 1 kV Signal/Control Line: ± 0.5 kV
Polarity:	Positive & Negative
Impulse Frequency:	5 kHz
Impulse Wave-shape:	5/50 ns
Burst Duration:	15 ms
Burst Period:	300 ms
Test Duration:	2 mins
Performance Criterion:	B

8.5.2. TEST PROCEDURE

EUT is placed on a 0.1 m tall wooden table.

EUT operate at normal mode, the transient/burst was 5/50 ns in accordance with EN 61000-4-4, both positive and negative polarity burst waveform were applied.

The duration time of each test line was 2 minutes.

8.5.3. TEST SETUP

The EUT installed in a representative system as described in section 7 of EN 61000-4-4.

For the actual test configuration, please refer to the related item – photographs of the test configuration.

8.5.4. TEST RESULT

N/A



8.6. SURGE IMMUNITY TEST

8.6.1. TEST SPECIFICATION

Basic Standard:	EN 61000-4-5 Combination Wave
Wave-Shape:	1.2/50 μ s Open Circuit Voltage 8/20 μ s Short Circuit Current
Test Voltage:	Power Port ~ Line to line: ± 1 kV, Line to ground: ± 2 kV
Surge Input/Output:	Power Line: L-N / L-PE / N-PE
Generator Source Impedance:	2 Ω between networks 12 Ω between network and ground
Polarity:	Positive/Negative
Phase Angle:	0° /90° /180° /270°
Pulse Repetition Rate:	1 time / min
Number of Tests:	5 positive polarity pulses, and 5 negative polarity pulses
Performance Criterion:	B

8.6.2. TEST PROCEDURE

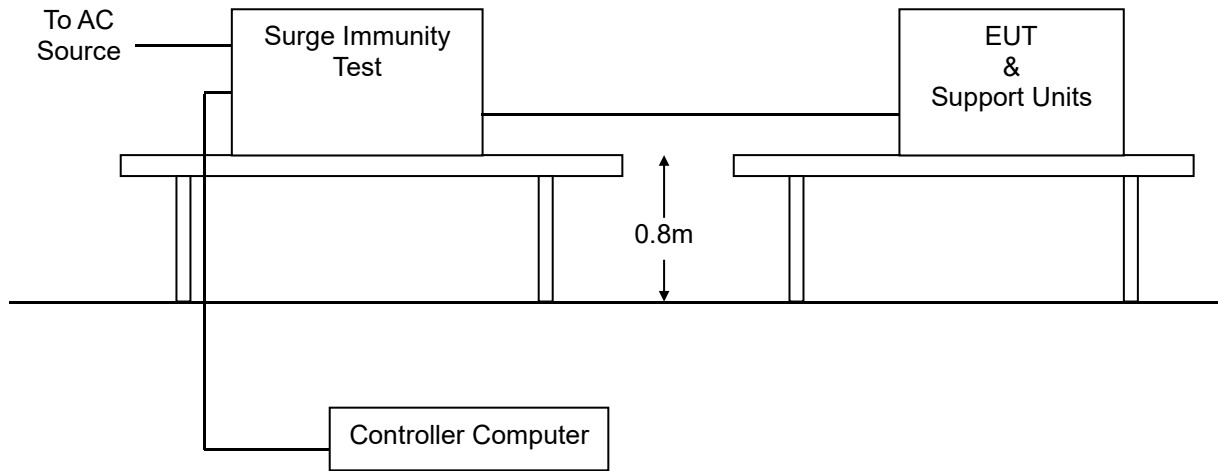
EUT is placed on a 0.1 m (table type equipment) / 0.8 m (floor type equipment) tall wooden table.

EUT operate at normal mode, two types of combination wave generator (1.2/50 us open-circuit voltage and 8/20 us short-circuit current) are applied to the EUT power supply terminals via the capacitive coupling network.

The power cord between the EUT and the coupling/decoupling network shall not exceed 2 m in length.



8.6.3. TEST SETUP



For the actual test configuration, please refer to the related item – Photographs of the Test Configuration.

8.6.4. TEST RESULT

N/A



8.7. CONDUCTED RADIO FREQUENCY DISTURBANCES (CS)

8.7.1. TEST SPECIFICATION

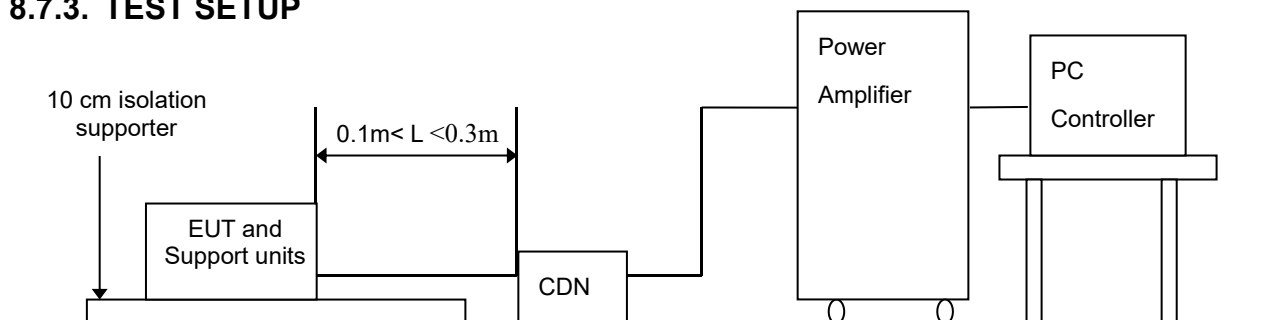
Basic Standard:	EN 61000-4-6
Frequency Range:	0.15 MHz ~80 MHz
Field Strength:	3 V
Modulation:	1 kHz Sine Wave, 80 %, AM Modulation
Frequency Step:	1 % of preceding frequency value
Coupled cable:	Power Mains, Shielded
Coupling device:	CDN-M3/2 (3 wires/2 wires)
Performance Criterion:	A

8.7.2. TEST PROCEDURE

The EUT shall be tested within its intended operating and climatic conditions.

The test shall be performed with the test generator connected to each of the coupling and decoupling devices in turn, while the other non-excited RF input ports of the coupling devices are terminated by a 50 Ω load resistor. The frequency range was swept from 150 kHz to 80 MHz, using the signal level established during the setting process and with a disturbance signal of 80 % amplitude. The signal was modulated with a 1 kHz sine wave, pausing to adjust the RF signal level or the switch coupling devices as necessary. The sweep rate was 1.5×10^{-3} decades/s. Where the frequency range is swept incrementally, the step size was 1 % of preceding frequency value the dwell time of the amplitude modulated carrier at each frequency was 0.5 s.

8.7.3. TEST SETUP



For the actual test configuration, please refer to the related item – Photographs of the Test Configuration

Note: 1) The EUT is setup 0.1 m above Ground Reference Plane

2) All relevant cables shall be provided with the appropriate coupling and decoupling devices at a distance between 0.1 meters and 0.3 meters from the projected geometry of the EUT on the ground reference plane.

8.7.4. TEST RESULT

N/A



8.8. POWER FREQUENCY MAGNETIC FIELD

8.8.1. TEST SPECIFICATION

Basic Standard:	EN 61000-4-8
Frequency Range:	50 Hz
Field Strength:	1 A/m
Observation Time:	5 minutes
Inductance Coil:	Rectangular type, 1 m x 1 m
Performance Criterion:	A

8.8.2. TEST PROCEDURE

The equipment is configured and connected to satisfy its functional requirements. It shall be placed on the GRP with the interposition of a 0.1 m-thick insulating support.

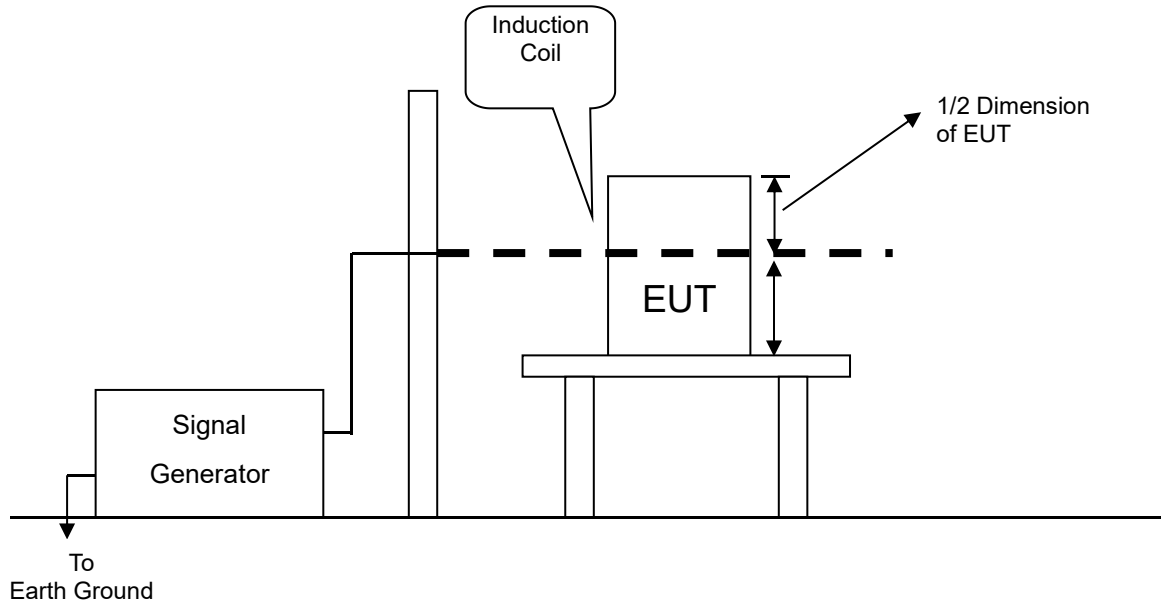
The equipment cabinets shall be connected to the safety earth directly on the GRP via the earth terminal of the EUT.

The power supply, input and output circuits shall be connected to the sources of power supply, control and signal.

The cables supplied or recommended by the equipment manufacturer shall be used. 1 meter of all cables used shall be exposed to the magnetic field.



8.8.3. TEST SETUP



For the actual test configuration, please refer to the related item – Photographs of the Test Configuration Note:

TABLETOP EQUIPMENT

The equipment shall be subjected to the test magnetic field by using the induction coil of standard dimension (1 m x 1 m). The induction coil shall then be rotated by 90 degrees in order to expose the EUT to the test field with different orientations.

FLOOR-STANDING EQUIPMENT

The equipment shall be subjected to the test magnetic field by using induction coils of suitable dimensions. The test shall be repeated by moving and shifting the induction coils, in order to test the whole volume of the EUT for each orthogonal direction. The test shall be repeated with the coil shifted to different positions along the side of the EUT, in steps corresponding to 50 % of the shortest side of the coil. The induction coil shall then be rotated by 90 degrees in order to expose the EUT to the test field with different orientations.

8.8.4. TEST RESULT

N/A



8.9. VOLTAGE DIP & VOLTAGE INTERRUPTIONS

8.9.1. TEST SPECIFICATION

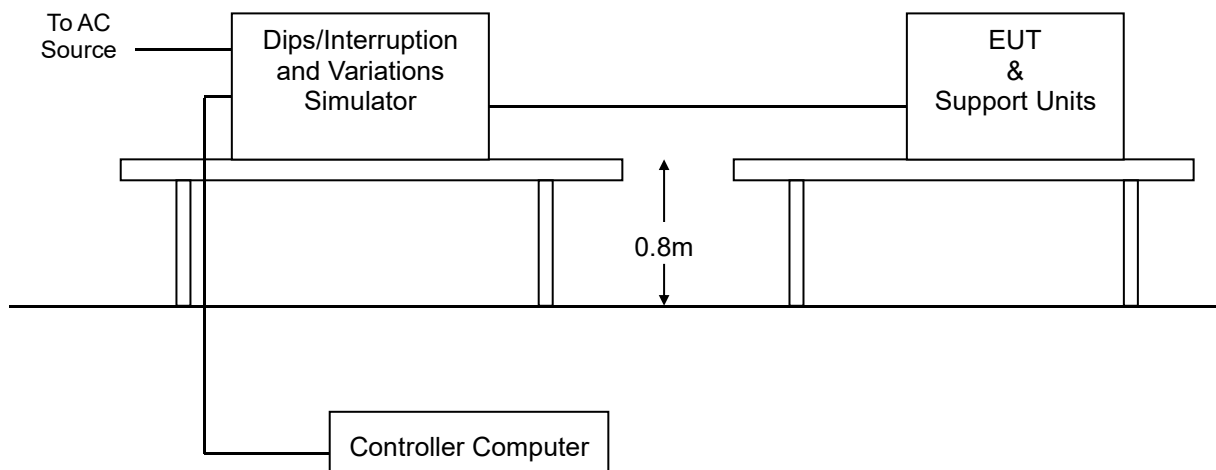
Basic Standard:	EN 61000-4-11
Test Duration Time:	3 test events in sequence
Interval Between Event:	10 seconds
Phase Angle:	0°
Test Cycle:	3 times
Performance Criterion:	0% U_T / 0.5 P, Criterion: B 70% U_T / 25 P, Criterion: C 0% U_T / 250 P, Criterion: C

8.9.2. TEST PROCEDURE

The EUT and support units were located on a wooden table, 0.8 m away from ground floor. Setting the parameter of tests and then perform the test software of test simulator. Changes to the voltage level shall occur at 0 degree crossing point in the a.c. voltage waveform.

Record the test result in test record form.

8.9.3. TEST SETUP



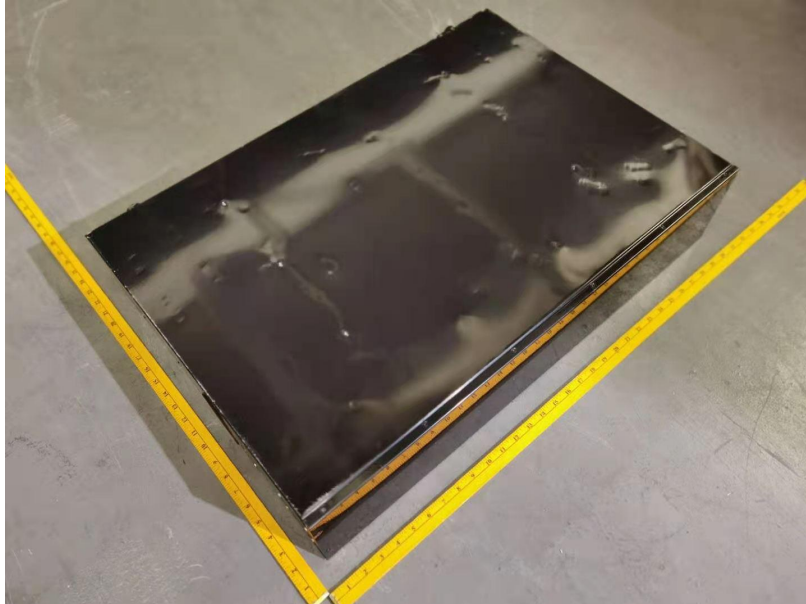
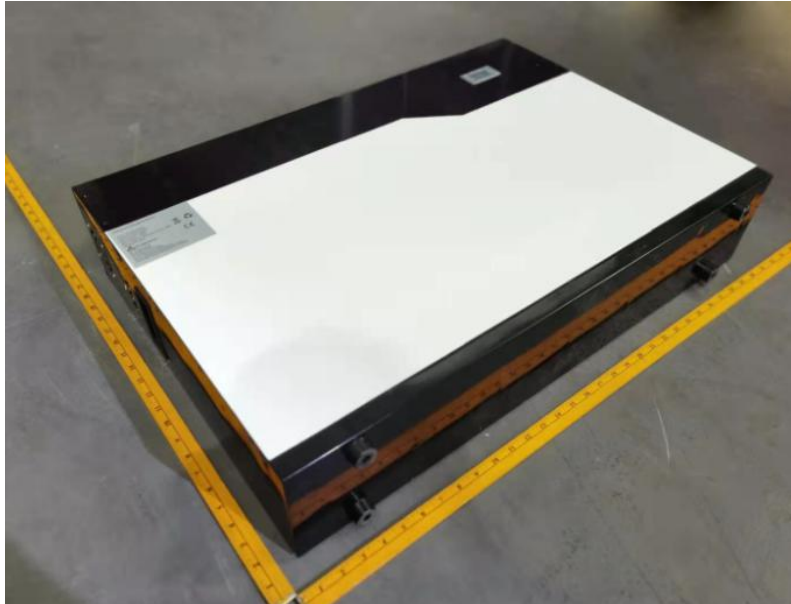
For the actual test configuration, please refer to the related item – Photographs of the Test Configuration.

8.9.4. TEST RESULT

N/A



9. PHOTOGRAPHS OF EUT



— End of report —