

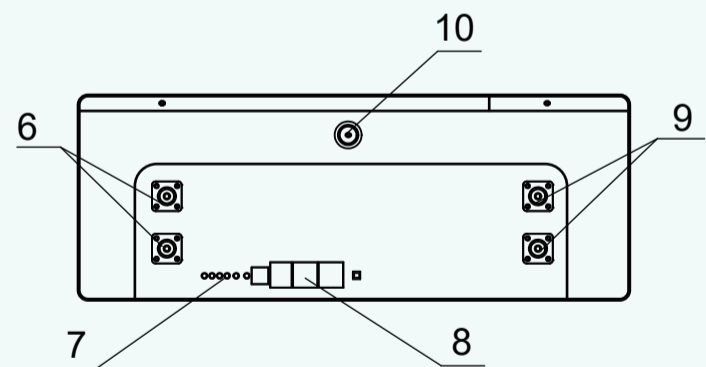
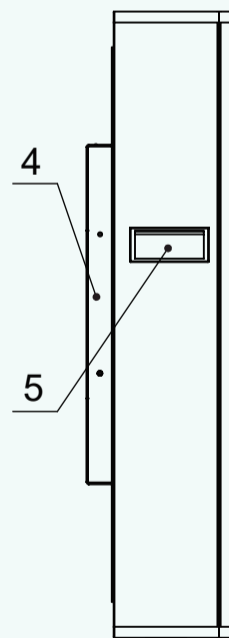
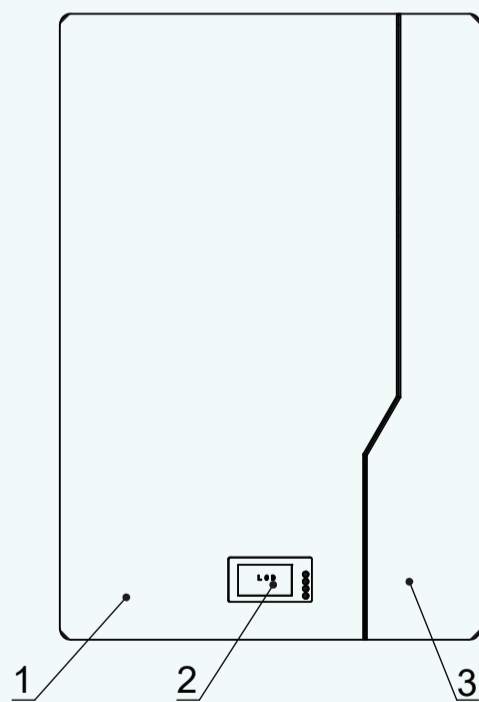
51.2V Energy Storage LiFePO₄ Battery

Features

- ◆ LCD monitor the energy storage power data and operating status.
- ◆ High-quality LiFePO₄ battery, safety, deep cycle and long lifespan.
- ◆ Product round edge be more safe, avoid accident collision.
- ◆ External main switch to reduce product power consumption and improve safety.
- ◆ Wall brackets, which can meet the installation and use of different place.
- ◆ BMS built inside, over-voltage, over-load, over-temperature protection, etc.
- ◆ Compatible, can be connected to different types of loads within the voltage range.
- ◆ Support up to 15 modules in parallel.



Structural parts description



1	White plate	6	M6 Positive terminal (2pcs)
2	LCD display	7	Battery indicator
3	Black plate	8	RS485 /CAN
4	Wall mounted bracket	9	M6 Negative terminal (2pcs)
5	Handle	10	OFF/ON

51.2V Energy Storage LiFePO₄ Battery

Parameters

	Model	M16S100BL-V	M16S200BL-V
Basic Characteristics	Nominal Voltage	51.2V	51.2V
	Nominal Capacity	100Ah	200Ah
	Efficiency	≥96%	≥96%
	Inner Resistance	10mΩ	7mΩ
	Cell Type	LiFePO ₄	LiFePO ₄
Charging Characteristics	Charge Voltage	58.4V	58.4V
	Standard Charging Current	20A	40A
	Max.Continuous Charging Current	100A	100A
Discharge Characteristics	Standard Discharge Current	20A	40A
	Continuous Discharge Current	100A	100A
	Peak Discharge Current	200A(3S)	200A(3S)
	Discharge Cut-off Voltage	42V	42V
Environmental Requirements	Charge Temperature Range	0~60°C	0~60°C
	Discharge Temperature Range	-10°C~65°C	-10°C~65°C
	Storage Temperature Range	-5~40°C	-5~40°C
	Storage Humidity	65±20%HR	65±20%HR
Mechanical Characteristics	Size(LxWxH)	445×170×510mm	445×206×675mm
	Package Size (L×W×H)	575×520×335mm	750×520×385mm
	Shell Material	SPCC	SPCC
	Net Weight	47kg	85kg
	Gross Weight	68kg	110kg
	Package Method	1pcs per carton	1pcs per carton
Others Characteristics	Cycle Life	≥6000 times	≥6000 times
	Self Discharge	2% per month	2% per month
	SOC Indication	LED Light& LCD Screen	LED Light& LCD Screen
	Communication Protocol	RS485/CAN	RS485/CAN
	Matching Inverter	Growatt, Goodwe, Deye, Luxpower, SRNE etc	

Product application diagram

